

Office Use Only

Received Date	Received By	Processed Date
□ / □ / □	□	□ / □ / □

CONTACT DETAILS: RACING AUSTRALIA

Level 1, Racing Centre, 400 Epsom Road Flemington VIC 3031
 Telephone: 1800 954 143
 Email: licensing@racingaustralia.horse
 Website: www.racingaustralia.horse

**You must complete this form in full. Incomplete forms will be returned to the applicant via post.
 Once licensed, Identification Cards will not be issued over the counter at Racing Australia Head Office.**

1. Personal Details

Date of Birth	Sex	Mr	Mrs	Miss	Ms	Other	If other, please specify
□ / □ / □							
Given Names	Surname						
Residential Address							State Post Code
Postal Address							State Post Code
Mobile	Email (Mandatory)						Minimum Weight (kg)

NEXT OF KIN (Mandatory)

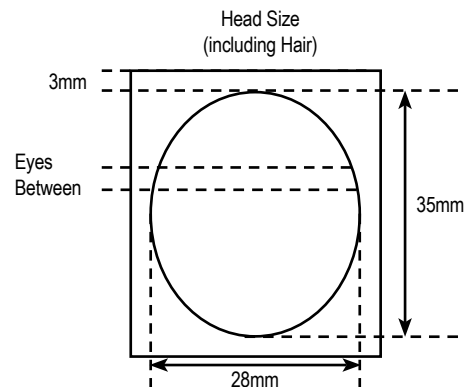
The collection of your next of kin details is now considered a pre-requisite to the grant of a Jockey licence within Victoria. This information will be stored in accordance with Racing Victoria's Privacy Statement at Part 1 of Section 13.

Next of Kin	Relationship	Phone
Next of Kin	Relationship	Phone
Next of Kin	Relationship	Phone

2. Passport Photo

Should you be successful with your application for the grant of a Jockey licence you will receive an annual identification card which will permit entry to all Victorian race meetings. Consequently, we require a colour Passport Photo of yourself for identification purposes. Please attach a Photo here:

Alternatively, please tick if you have emailed your photo to licensing@racingaustralia.horse



3. Identification

For identification purposes, we also require one type of identification as outlined below. Please mark a tick beside the type of identification which has been submitted with this application:

Drivers Licence or, Passport or, Birth Certificate

4. Mandatory Qualifications

Prior to considering an application for the grant of a Jockey's licence, you are required to outline any qualification you have achieved below (tick)

Have you completed an Apprenticeship with a Principal Racing Authority? (required for Jockey licence)

Certificate IV Racing (Jockey)

(This qualification is typically achieved when completing an Apprenticeship with a Principal Racing Authority)

Race Riding Criteria (required for Jumps Jockey A, Jumps Jockey B, Apprentice Jockey and Picnic Jockey licences)

Certificate III Racing (Trackwork Rider) - required for Picnic Jockey licence below.

UNIT CODE	UNIT TITLE
RGRPSH405	Ride horses in jump outs
RGRPSH413	Prepare for race riding
	Certificate III in Racing (Trackrider)

Jumps Accreditation Program (required for Jumps Jockey A and Jumps Jockey B licences)

UNIT CODE	UNIT TITLE
RGRPSH205	Perform basic riding skills in the racing industry;
RGRPSH306	Develop basic trackwork riding skills;
RGRPSH307	Exercise horses in pacework;
RGRPSH404	Ride horses at trackwork;
RGRPSH406	Develop riding skills for jumping racing;
RGRPSH413	Prepare for race riding;
RGRPSH416	Perform trial and race jumping riding skills ;
RGRPSH405	Ride horses in jump outs;
BSBWHS201	Contribute to the health and safety of self and others;
RGRPSH201	Handle racehorse in stables and at trackwork;and
VU22858	Work effectively as a trackwork rider; or
	Certificate IV in Racing - Jockey

NOTE: If the applicant holds a Jockey licence the applicant must have attained the following units:

UNIT CODE	UNIT TITLE
RGRPSH406	Develop riding skills for jumping racing
RBRPSH 416	Perform trial and race jumping riding skills

5. Additional Requirements Declaration

I must submit a satisfactory Medical Assessment.

Yes, I acknowledge

I must contact Ron Hall, Jockey Wellbeing and Safety Officer at r.hall@racingvictoria.net.au to arrange a date/time to complete a Cognitive (Brain Function) Test.

Yes, I acknowledge

I have attached my National Police Record Certificate, dated within six (6) months of the date this application has been submitted to Racing Victoria.

Yes, I acknowledge

6. Eligibility to work in Australia

Are you an Australian citizen or permanent resident? Yes No

If you have answered "No" to the above question, you must provide a copy of the VISA that enables you to work as a Jockey in Australia.

I have provided a copy of my VISA with this application (if applicable)

7. Declarations

RULES OF RACING

I acknowledge that I am bound by the Rules of Racing of Racing Victoria (the Rules) including any policy, code and/or regulations made pursuant to the Rules from time to time, and of any other Principal Racing Authority in which I perform Jockey-related duties, and I agree to familiarise myself with these Rules, including the Rules relating to Jockeys and amendments made to these Rules from time to time.

Yes, I acknowledge

NATIONAL POLICE RECORD CERTIFICATE

In circumstances where Racing Victoria's Compliance and Regulation Unit sees fit, I consent to obtaining a National Police Record Certificate and providing it to Racing Victoria (if contacted by Racing Victoria or an appointed CrimTrac accredited agency).

Yes, I acknowledge

CRIMINAL CHARGES

After submitting this Application, I acknowledge that I must inform Racing Victoria's Compliance and Regulation Unit of any criminal charges laid against me within seven days of any charges being laid. Updates must be sent by email to cru@racingvictoria.net.au

Yes, I acknowledge

SOCIAL MEDIA POLICY

I have read, and agree to be bound by, the "Racing Victoria Social Media Policy," as amended from time to time. This Policy is located at <https://www.racingvictoria.com.au/integrity/social-media-policy>

Yes, I acknowledge

CONTINUED EDUCATION

I further declare that I agree to complete all Racing Victoria educational programs related to Jockey licensing within the relevant timeframe.

Yes, I acknowledge

8. Race Analysis

Do you engage, or seek advice from, an analyst or professional* to assist you with analysing specific races or matters concerning race-day?

Areas of analysis may include, but not limited to, horse form, speed mapping, rail placements or track ratings.

* An analyst or professional is defined as an expert, skilled or knowledgeable person in the field of horse racing.

Yes No

If Yes, please provide the full name of each analyst or professional utilised and the role performed by each analyst or professional:

Does your nominated rider agent, or any other person, engage, or seek advice from an analyst or professional* on your behalf to assist you with analysing specific races or matters concerning race-day?

Areas of analysis may include, but not limited to, horse form, speed mapping, rail placements or track ratings.

* An analyst or professional is defined as an expert, skilled or knowledgeable person in the field of horse racing.

Yes No

If Yes, please provide the full name of each analyst or professional utilised and the role performed by each analyst or professional:

9. Questionnaire

Are you currently incapacitated due to an injury which is subject of a Worker's Compensation Claim?

Yes No

If Yes, please explain the circumstances

Do you own or hold an interest in any horse(s) for racing purposes?

Yes No

If Yes, what is the name of the horse(s) – list below.

Are you currently under any ban/restriction or have any pending matters yet to be determined by any Racing Authority or Racing Code (including Racing Victoria)?

Yes No

If Yes, please explain the circumstances

Have you ever been suspended, disqualified or refused a licence, permit or registration (for any reason) by any Racing Authority or Racing Code (including Racing Victoria)?

Yes No

If Yes, please explain the circumstances

Are you currently, or have you previously been licensed/registered with another Principal Racing Authority or Racing Code (PRA)?

Yes No

If Yes, give details

Have you, in the last 10 years, been:

1. found guilty of a criminal offence?
2. imprisoned?
3. placed on parole?

Note: Should Racing Victoria discover through a National Police Check or other means that this has been answered incorrectly, you may be stood down.

Yes No

If Yes, please explain the circumstances

Are there any current criminal proceedings (or charges) pending against you?

Yes No

If Yes, please explain the circumstances

10. Jockey Declaration Regarding Betting

Did you transact through a betting account in your own name during the period 1 August 2022 (or commencement of your Jockey licence if later) to the date this form is submitted?

Yes No

Please fill in the below section for each Betting Account Transacted during the nominated period:

BETTING OPERATOR	ACCOUNT NAME	ACCOUNT NUMBER	ACCOUNT HOLDER'S DATE OF BIRTH
			/ /
			/ /
			/ /
			/ /

Were thoroughbred racing related transactions conducted through this account?

Yes No

Did you transact through a betting account held in another person's name(s) during the period 1 August 2022 (or commencement of your Jockey licence if later) to the date this form is submitted?

Yes No

Please fill in the below section for each Betting Account Transacted during the nominated period:

BETTING OPERATOR	ACCOUNT NAME	ACCOUNT NUMBER	ACCOUNT HOLDER'S DATE OF BIRTH
			/ /
			/ /
			/ /
			/ /

Were thoroughbred racing related transactions conducted through this account?

Yes No

Do you wish for Racing Victoria to contact the Wagering Service Providers declared above requesting a restriction to be placed on your account that prevents you betting on thoroughbred racing?

Yes No

Please note that, where you answer "yes" above, Racing Victoria will make this request on your behalf to each WSP listed but cannot guarantee i) that the restriction will be placed on your account or ii) when the restriction will be placed on your account. Compliance with the betting restrictions applicable to you as a jockey pursuant to the Rules of Racing and the terms of your licence remains your sole responsibility at all times.

JOCKEY DECLARATION REGARDING BETTING

I _____ Of _____
(print full name) (print residential address)

Licensed Jockey, declare that:

SENIOR JOCKEYS, JUMP JOCKEYS AND APPRENTICE JOCKEYS ONLY:

I acknowledge that as per AR 115:

'a jockey or apprentice jockey must not:

- (c) bet, or have any interest in a bet, or facilitate a bet, on any race;
 - (d) be present in the betting ring during a race meeting;
 - (e) bet, or have any interest in a bet, on any race or contingency relating to thoroughbred racing involving a race in which he or she is riding
- (2) For the purposes of this rule, "bet" includes a lay bet.'

Further, during the period 1 August 2022 (or commencement of my Jockey licence if later) to the date this form is submitted, I did not;

- have a bet on any thoroughbred race in Australia or overseas;
- facilitate (including arranging or organising) the making of a bet on any thoroughbred race in Australia or overseas;
- have any interest in a bet on any thoroughbred race in Australia or overseas;
- have a bet on any contingency relating to thoroughbred racing (including, but not limited to, any exotic bet, jockey challenge bet, or multi bet) in Australia or overseas;
- facilitate (including arranging or organising) the making of a bet on any contingency relating to thoroughbred racing (including, but not limited to, any exotic bet, jockey challenge bet, or multi bet) in Australia or overseas; or
- have any interest in a bet on any contingency relating to thoroughbred racing (including, but not limited to, any exotic bet, jockey challenge bet, or multi bet) in Australia or overseas.

PICNIC JOCKEYS ONLY:

I acknowledge that as per AR 148:

'Any approved rider who has a riding engagement at a race meeting is prohibited from making or having an interest in a bet (including a lay bet), or being present in the betting ring at that race meeting.'

Further, during the period 1 August 2022 (or commencement of my Jockey licence if later) to the date this form is submitted, I did not;

- make or have an interest in a bet during any race meeting in which I had a riding engagement;

ALL JOCKEYS:

I undertake to immediately make a further declaration if I open an account or make any transaction through an account not identified in this declaration
I acknowledge that Racing Victoria's Integrity Services Department may conduct an audit or other verification procedure relating to this declaration
I consent, upon written request of Racing Victoria's Integrity Services Department, to provide access to other information relating to this declaration
I acknowledge that this declaration may be forwarded to the Racing Integrity Commissioner
I acknowledge that the Racing Integrity Commissioner may conduct their own inquiries in relation to this declaration
I acknowledge that if it is found that I have made a false declaration that I may be penalised under AR 229 (1) (h).

Racing Victoria shall comply with the Privacy Act 1988 (Cth) and applicable analogous legislation in dealing with the information set out in this declaration. Please refer to Racing Victoria's Privacy Policy and/or Privacy Statement at Section 13, Part 1 of this form for more information.

I acknowledge the above declarations and declare that the information provided on this form is true and correct.

Declared at _____ in the State of _____
(suburb/town) (suburb/town)

on _____
(date) (signature of licensed Jockey making declaration)

11. Payment

Alternatively, enclose a Cheque or Money Order payable to Racing Victoria. Cash is not accepted.

What category of Jockey License are you applying for?

APPRENTICE JOCKEY (\$0)

JUMPS JOCKEY 'A' (\$139)

JOCKEY (\$139)

JUMPS JOCKEY 'B' (\$139)

PICNIC JOCKEY (\$139)

Payment by Cheque/Money Order - please make payable to Racing Victoria

RACING VICTORIA LIMITED
ABN 88 096 917 930
Tax Invoice Receipt
Total amount payable (Inc. GST)

Credit Card Type

Mastercard

Visa

Credit Card Number:

Cardholder's Name

Cardholder's Signature:

Credit Card Expiry Date (MM/YY): Credit Card Verification (CVN)

/

Please retain a copy of this form for your taxation records.

12. Jockey Electronic Funds Transfer & Superannuation Fund Details

Given Names

Surname

Date of Birth

/ /

Australian Business Number (ABN)

Account Holder Name

Name of Bank/Financial Institution

BSB

Account Number

Australian Tax File Number

Are you GST Registered?

Yes No

SUPERANNUATION FUND (OPTIONAL)

Self Managed

Yes No

Fund Name

Fund ID

Member ID

13. Acknowledgements and declarations

1. Privacy

1. PRIVACY STATEMENT

1.1. Racing Victoria Limited (ACN 096 917 930) (**Racing Victoria**) is the Principal Racing Authority (**PRA**) governing thoroughbred racing in Victoria, and carries out the functions of:

- determining and issuing occupational licences and/or otherwise authorising persons to participate in the Victorian thoroughbred racing industry (**Licensed and/or Registered Person**);
- regulating Licensed and/or Registered Persons;
- administering and promoting racing; and
- such other functions as may be described in its privacy policy published on its website from time to time (**Privacy Policy**).

(Functions)

1.2. Racing Victoria is collecting your personal information on this form, including your name, contact details, next of kin, employment and credit card/bank details. We may also be collecting personal information about you which may be considered sensitive or protected under applicable laws (such information may include your criminal record and bankruptcy status) that you may provide in this form or under your relevant licence's ongoing disclosure obligations (if applicable).

1.3. Racing Australia Limited (ABN 89 105 994 330 21) (**Racing Australia**) is the national industry body representing thoroughbred racing in Australia. This application form and your personal information will also be collected by Racing Australia in order to process your application on Racing Victoria's behalf. Where personal information is collected by Racing Australia on behalf of Racing Victoria (as opposed to on its own behalf), it is subject to the Racing Australia and Racing Victoria privacy policies, the latter prevailing in the event of any conflict.

1.4. The purpose of collecting your personal information is for our legitimate interests, including to:

- consider and make determinations in relation to your licence application, renewal or continuance;
- meet supervisory responsibilities in relation to you as a Licensed and/or Registered Person;
- promote or protect the integrity of the thoroughbred racing code and ensure compliance with the Rules of Racing;
- administer and promote racing operations (including your participation in races and the industry);
- communicate with you regarding our news, events and promotions where it relates to your licence or registration; and
- any other function or activity described in our Privacy Policy.

(Purpose)

1.5. If your personal information is not collected, either on this form or otherwise when requested by Racing Victoria as part of its licensing and supervisory activities, we may not be able to process your application (and therefore refuse to grant your application or renew your licence, as the case may be) or may revoke or suspend your licence.

1.6. Racing Victoria may also obtain personal (including sensitive) information about you from, or disclose your personal information to, third parties such as enforcement bodies, government authorities, other racing controlling bodies (including PRAs and their equivalents in harness and greyhound) in the States and Territories of Australia and overseas, wagering service providers such as bookmakers, totalisators, and betting exchanges, educational or training institutions, service providers and to other persons for any of the purposes described above or as otherwise provided by law.

1.7. Your personal (including sensitive) information may also be collected from and disclosed to:

- a) Racing Australia in order for them or Racing Victoria to perform their role under the Australian Rules of Racing; and
- b) other PRA's (both within Australia and overseas) (including but not limited to Racing New South Wales (ABN 86 281 604 417 22), Racing and Wagering Western Australia (ABN 21 347 055 603), Thoroughbred Racing SA Limited (ACN 094 475 939), Tasracing Pty Limited (ACN 137 188 286), Thoroughbred Racing NT Incorporated (ABN 15 688 350 211), Canberra Racing Club Incorporated (21 423 896 409), Racing Queensland Limited (ACN 142 786 874)), New Zealand Thoroughbred Racing Inc, British Horse Racing Authority and the Hong Kong Jockey Club) for the purpose of administration of thoroughbred racing.

1.8. Unless otherwise advised by you, your image, name and contact details may be published monthly in the Inside Racing magazine to facilitate your participation in racing. Your personal information may also be disclosed to and published by Racing Victoria, its associates (including Victorian Thoroughbred Racing IMB Pty Ltd (including its businesses trading as Best Bets, Winning Post and Racing Photos) Racing.com, Victorian thoroughbred race clubs and Racing Australia) or media organisations for integrity purposes and for the administration of thoroughbred racing, such as the publication of race fields and calendars, issuing media releases or Stewards reports (including future racing years).

1.9. We otherwise use, disclose and handle your personal information in accordance with our Privacy Policy available at <https://www.racingvictoria.com.au/privacy-policy>. If you are concerned about a possible interference with your privacy, please contact Racing Victoria's Privacy Officer at privacyofficer@racingvictoria.net.au. Privacy complaints to Racing Victoria must be made in writing.

2. Disclosure of Contact information to Racing-Related Third Parties

- 2.1. From time to time Racing Victoria receives requests from racing industry member bodies and associations seeking to contact licensed Jockeys with racing-related information and offers.
- 2.2. If you are happy to be contacted by racing industry member bodies or associations – and therefore for Racing Victoria to disclose your personal information (including your name, email and/or mobile number (Contact Information)) to those bodies/associations – please tick the box below:

I consent to my Contact Information being disclosed to racing industry member bodies and/or associations.

3. Health Records

- 3.1. In addition to the personal information collected on this form, Racing Victoria will also seek to collect from Victorian-based jockeys, sensitive (health) information including an Annual Medical Report, Computer Cognitive Assessment Tool (CCAT) results and other health and medical information (Health Information) in order to fulfill Racing Victoria's Functions and for the Purpose described above.
- 3.2. If this Health Information is not collected, Racing Victoria will not be able to ensure that persons granted a licence or permit to ride as a Jockey, amateur, approved rider or Apprentice Jockey meet the necessary licence conditions, including that they are physically fit and are able to withstand the rigours associated with riding in races.
- 3.3. Racing Victoria may only disclose your Health Information where permitted by law (including under the Workplace Injury Rehabilitation and Compensation Act 2013 (Vic)), to third parties such as service providers and as follows:
- Your Annual Medical Report:
 - o in full, to the Racing Victoria Chief Medical Officer (or their delegate); or
 - o a medical practitioner nominated by Racing Victoria or Racing Victoria's Chief Medical Officer (or their delegate); and
 - Your CCAT results:
 - o to Racing Victoria's Chief Medical Officer (or their delegate) or a Chief Medical Officer of a PRA outside of Victoria.
- 3.4. Racing Victoria's Chief Medical Officer may provide your Health Information to the Chief Medical Officer of a PRA outside of Victoria.
- 3.5. Your Health Information will be treated confidentially at all times and will not be disclosed to any third parties not listed above without your prior consent.
- 3.6. For Jockeys based outside Victoria that intend to ride in Victoria, Racing Victoria may request that Health Information be provided by you (or, where you have consented, from the PRA with which you are licensed) to evidence that Jockey's fitness to ride. Racing Victoria may also seek from jockeys based outside of Victoria, further Health Information for the purpose of performing Racing Victoria's licensing function in respect to that Jockey. All Health Information collected will be handled in accordance with Racing Victoria's Privacy Policy. You may request to gain access to your personal information, including Health Information at any time, by contacting Racing Victoria's Privacy Officer as described above at paragraph 1.9.

4. Rules of Racing

- 4.1. I acknowledge that I have read and understood the Rules of Racing of Racing Victoria and of any other Principal Racing Authority in which I ride, and I agree to familiarise and be bound by any amendments to the Rules.
- 4.2. I agree to be subject to, and bound by:
- a. the Rules of Racing of each Principal Racing Authority in which State or Territory I ride, including those Rules as amended or varied by each Principal Racing Authority from time to time; and
 - b. such rules and directions as may from time to time be formed, made or given by the directors for each Principal Racing Authority ("Directors"), the stewards or the Principal Racing Authority ("Stewards") or the officials of any racing club registered by the Principal Racing Authority to conduct thoroughbred racing under the Rules ("Club").
- 4.3. Without limiting any other declaration or acknowledgement made in this application, I declare that:
- a. I understand that as a licensed Jockey, I am not allowed to place a bet and/or have an interest in a bet on thoroughbred racing in Australia or overseas.
 - b. I will not allow any account held with a Wagering Service Provider in my name to be used by any person(s) to place or have an interest in a bet on thoroughbred racing in Australia and/or overseas.
 - c. I will not use an account held with a Wagering Service Provider in another person(s) name to place or have an interest in a bet on thoroughbred racing in Australia and/or overseas.
 - d. I have read and understood the Rules of Racing regarding betting restrictions and offences for jockeys, including AR 115 (1) (c), (d) and (e) which provide as follows:

Extract of Australian Rule of Racing 115 (1) (c) (d) and (e):
MISCONDUCT AR 115: Every jockey or apprentice may be penalized:

(c) bet, or have any interest in a bet, or facilitate a bet, on any race;
(d) be present in the betting ring during a race meeting;
(e) bet, or have any interest in a bet, on any race or contingency relating to thoroughbred racing involving a race in which he or she is riding
 - e. I have read AR 115(3) and understand that any jockey who is found guilty of a breach of AR 115 (1)(e) is liable to a period of disqualification of not less than two years (unless special circumstances are found to exist).
 - f. I understand that, as a condition or requirement of the grant of my jockey licence renewal, I will be required to sign a "Jockey Declaration Regarding Betting" prior to me being relicensed. Further, I understand that in the Jockey Declaration Regarding Betting, I will be required to declare that I have not had a bet, facilitated a bet, or had an interest in any bet on any thoroughbred race or contingency related to thoroughbred racing in Australia or overseas from the period of 1 May each year (or such other period as advised to me by Racing Victoria in its discretion).
 - g. I have read and understood the Rules of Racing regarding the restrictions on jockey involvement in the buying, selling, trading or leasing of thorough bred bloodstock, including AR 117.

5. Promotion of Thoroughbred Racing

5. PROMOTION OF THOROUGHBRED RACING: IN APPLYING FOR THIS LICENCE OR APPROVAL BEING GRANTED, I:

- 5.1. Appearances: agree to make myself available on reasonable notice and at no cost or charge at any time during the Licence Year for appearances, photography, video or filming sessions up to three occasions in the Licence Year for attendances at all such occasions not exceeding eight (8) hours in total (unless otherwise agreed) for the promotion of thoroughbred racing. Where I have a reasonable excuse for my inability to participate in any such occasion, I must make myself available at the next, earliest opportunity suitable to Racing Victoria and I.
- 5.2. Likeness and identity: authorise Racing Victoria to use, distribute, display and reproduce my appearance, likeness, name, voice, signature, nickname, reputation, performance or anything else that identifies me (Likeness), including as part of any Recording on any medium now known or hereafter devised and without cost or charge to Racing Victoria including, without limitation, for the promotion and advertising of, or otherwise in connection with, thoroughbred horse racing. If my likeness is proposed to be used prominently and individually, other than as part of the day to day broadcast of racing activities (whether live or non-live) by Racing Victoria or its licensees or Racing Photos official race day photography, then my consent must first be obtained, and I will not unreasonably withhold such consent.
- 5.3. Intellectual Property: agree that Racing Victoria will be the exclusive owner of the results and proceeds of my participation in any racing activity, including, without limitation, any Recording (Material). I hereby assign any present or future right, title and interest in any intellectual property rights, including copyright, I may have in the Material to Racing Victoria. I hereby unconditionally and irrevocably consent to Racing Victoria or its designees doing any or all acts or omissions which may otherwise infringe any moral rights I may have in any Material. The rights and consents granted in this paragraph are given in consideration of Racing Victoria considering this application.
- 5.4. Restrictions on use of image: agree not to allow, authorise or license any person, corporation or entity to use, distribute, display and reproduce my name photograph, likeness, reputation and identity for commercial purposes (including but not limited to licensing, endorsements, advertising, promotions, merchandising, memorabilia, events and marketing) where such utilisation would be prejudicial to the interests or image of thoroughbred racing or which may bring the thoroughbred racing industry into disrepute.

For the purpose of this section 5, "racing activity" means any race (including without limitation any pre or post-race activities such as the stalls, pre-parade ring, to, from and in the mounting yard, behind the barriers, post-race and return to scale, declaration of correct weight, protest hearings, award and trophy ceremonies and interviews), race meeting (including without limitation all events and activities taking place before, during and after a race and in-between races), official trial, jump-out, racing industry event (such as awards nights, barrier draws, media events and carnival launch events) and other like events and activities.

14. Jockey Declaration to sign below

In making this application to be registered as a licensed Jockey; I hereby –

Declare that all particulars in this application are true and correct;

Acknowledge and agree to be subject to and bound by:

- The Rules of Racing of Racing Victoria as amended or varied by Racing Victoria from time to time: and
- Such Rules and directions as may from time to time be formed, made or given by Racing Victoria, the Directors, Stewards or official of any Club;

Acknowledge that I have read this application in full, including the Privacy Statement and the Rules of Racing displayed on this application form;

Consent to Racing Victoria obtaining and disclosing personal information (including sensitive information, such as Health Information) about me (either collected on this form or during the course of my licence or registration) to third parties (such as other PRA's or racing controlling bodies within the States and Territories of Australia and overseas, Racing Victoria's Chief Medical Officer (or their delegate), enforcement bodies and medical service providers), or otherwise permitted by law and as described above for the purposes as set out in sections 1 (Privacy Statement) and 3 (Health Records) of the Privacy section;

Acknowledge that Racing Victoria may request further information from me in respect of this application;

Acknowledge that any debts accrued or owed by me to Racing Victoria will be paid within the time permitted by Racing Victoria;

In the event I am injured and it is impracticable to seek my consent at the time, I give permission for Racing Victoria to:

- a) collect my Health Information such as details regarding any allergies, medications and pre-existing conditions from the Racing Victoria Chief Medical Officer; and
- b) disclose my Health Information (including any information obtained via a) above) to the relevant paramedic or doctor for the purpose of treating my condition;

The Jockey Licensing Policy, which can be located on the Racing Victoria website (<https://www.racingvictoria.com.au/integrity/licensing/jockeys>), explains the requirements for the granting of and the conditions attaching to a Jockey licence. You must familiarise yourself with the relevant policy prior to progressing your application

Yes, I confirm that I have read and understood the Jockey Licensing Policy.

Application for a Visitor or Interstate Jockey's Licence (where applicable):

I understand that should I seek to ride in another State or Territory, this application and all supporting documentation may be forwarded to the relevant Principal Racing Authority as my application to ride in that State or Territory. I understand that the grant of a licence, permit or approval to ride by another Principal Racing Authority is a discretionary decision to be made by that Principal Racing Authority. The interstate Principal Racing Authority is not compelled to grant me a licence and will make a decision as it applies in their State or Territory.

Sign Here

Today's Date

/ /